

8

7

6

5

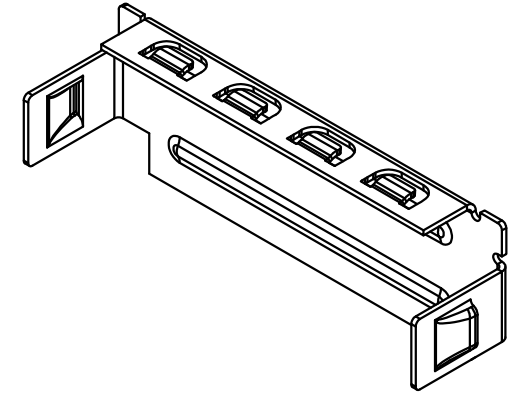
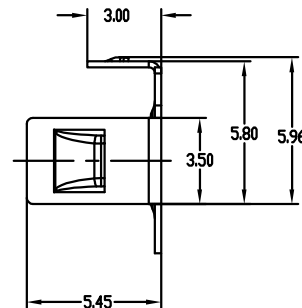
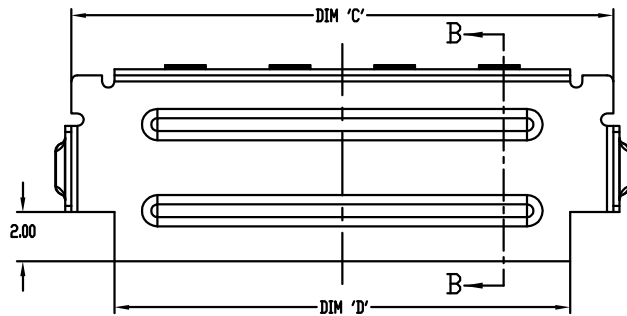
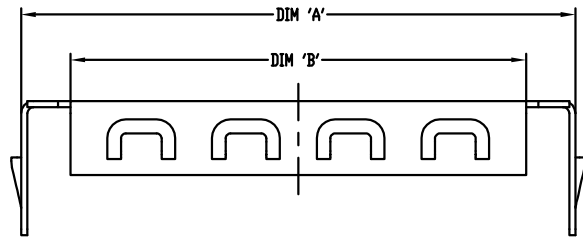
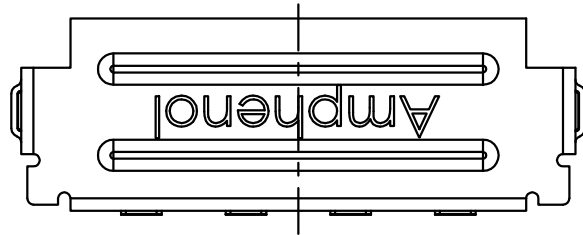
4

3

2

1

REVISIONS			
REV.	DESCRIPTION	DATE	APPROVED
A	PROPOSAL		
B	ADD FAMILY DRAWING DIMENSION	2004/05/26	
C	ADD NOTE	2004/06/10	



PART NUMBER	DIM 'A'	DIM 'B'	DIM 'C'	DIM 'D'
U65-404-60-P	22.50	18.50	22.00	18.50
U65-412-60-P	46.50	42.50	46.00	42.50

NOTE:

- MATERIAL: STAINLESS STEEL AISI 301(1/2 HARD), 0.25±0.013 mm THICK. FINISH: NATURAL.
- PART TO BE BULK PACKAGED.

DO NOT SCALE DRAWING

THIS DOCUMENT CONTAINS PROPRIETARY INFORMATION AND SUCH INFORMATION MAY NOT BE DISCLOSED TO OTHERS FOR ANY PURPOSE OR USED FOR MANUFACTURING PURPOSES WITHOUT PERMISSION FROM AMPHENOL CANADA CORP.

UNLESS OTHERWISE SPECIFIED DIMENSIONS ARE IN MILLIMETERS TOLERANCES ARE: DECIMALS ± 0.15 X.XX± 0.10	APPROVALS	DATE	Amphenol Canada Corp.	
	DRAWN	J.SI	2004/05/12	TITLE
	DESIGNED	J.SI	2004/05/12	REAR COVER INFINIBAND RECEPTACLE
	CHECKED			
MATERIAL AND FINISH	SEE NOTE 1	ON APPD		
REF.	EAR# 12444	BY APPD	SIZE A3	DWG NO P-U65-4XX-60-P
CODE IDENT. NO.	03554	DWG APPD	SCALE 5 = 1	PROJECT
				REV. C
				SHEET 1 OF 1

8

7

6

5

4

3

2

1